

Specification

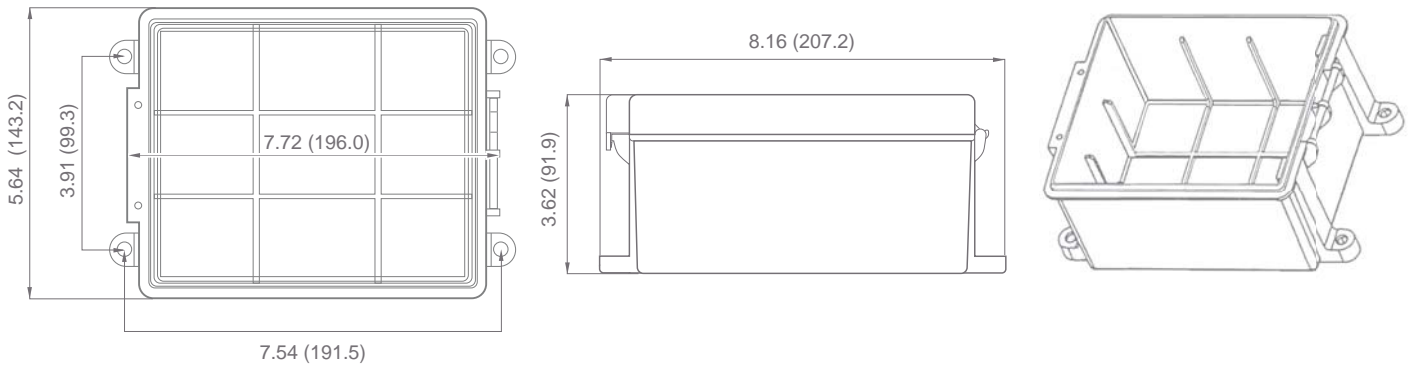
This break-away kit meets DOT standards for single and tandem axle trailers when properly installed and maintained.

Kit Includes

- + Pull Switch
- + 12V 10Ah SLA Battery
- + Battery Box
- + Installed Charger



Physical Dimensions: in (mm)



Wiring Instructions for Break-Away Kit

