

### Advantages of LFP Over SLA

- Lower cost per cycle, greater than ten times the cycle life of sealed lead-acid batteries
- Ultra-light weight; Significantly lighter than sealed lead-acid batteries
- Drop in replacement for sealed lead-acid batteries
- Can use the same charger as sealed lead-acid batteries in most cases (limited to a voltage of 14.6 volts)
- Faster charging as a result of higher charge current
- More usable capacity - sealed lead-acid battery capacity decreases as discharge current increases
- Includes Battery Management System (BMS) protection. Contains a circuit that fully protects itself with a Low Voltage Disconnect and a High Current Disconnect on discharge
- Balancing circuit on charge
- **7 Ah size case**



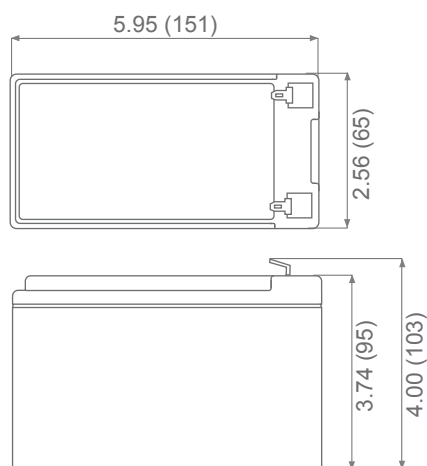
Due to continuous improvements to our products, product may vary slightly from depiction.

### Specification

<b>Nominal Voltage</b>	12.8 Volts			
<b>Nominal Capacity</b>	77° F (25° C)			
20-hr. (.30 A)	6 Ah			
10-hr. (.60 A)	6 Ah			
5-hr. (1.2 A)	6 Ah			
2-hr. (2.85 A)	5.7 Ah			
<b>Approximate Weight</b>	1.90 lbs (0.86 kgs)			
<b>Internal Resistance (approx.)</b>	≤65mΩ			
<b>Shelf Life</b> (% of normal capacity at 68° F (20° C))				
	3 Months	6 Months	12 Months	
	97%	95%	85%	
<b>Temperature Dependency of Capacity</b>				
	-10°C	-0°C	25°C	55°C
	50%	65%	100%	95%

<b>Battery Certifications</b>	UN38.3
<b>LFP Operational Temperature</b>	
Charge	32°F to 113°F (0°C to 45°C)
Discharge	-4°F to 140°F (-20°C to 60°C)
<b>LFP Storage Temperature</b>	14°F to 95 F° (-10°C to 35°C)
<b>Charge Method</b> (Constant Voltage)	
<b>Cycle Use</b> (Repeating Use)	
Initial Current	3 A or smaller
Control Voltage	14.6 V
<b>Float Use</b>	
Control Voltage	13.8 V

### Physical Dimensions: in (mm)



**L:** 5.94 in (151 mm)  
**W:** 2.56 in (65 mm)  
**H:** 3.74 in (95 mm)  
**TH:** 4.00 in (103 mm)  
 Tolerances are +/- 0.04 in. (+/- 1 mm) and +/- 0.08 in. (+/- 2mm) for height dimensions. All data subject to change without notice.

### Terminals

#### F Series (Faston Tabs)

Dimension Type	L	W	w	T
F2	7.9 mm 0.31 in	6.4 mm 0.25 in	8.2 mm 0.32 in	.8 mm 0.03 in

